

Stock Code: **70084LEDD-BSL/ACR**

Collection: Meteor

### PRODUCT INFORMATION

Base: 70084 Parent: 70084LEDD  
Mounting Type: Ceiling UPC: 641594204025  
Finish: Brushed Silver  
Diffuser: Acrylic Lens

### PRODUCT MEASUREMENTS

FIXTURE	BACKPLATE / CANOPY
Length:	Length
Width:	Width:
Diameter 23"	Diameter:
Height: 4.5"	Height: 1.5"
Extension:	
Overall Height: 6-125"	

### TECHNICAL SPECIFICATIONS

#### SPECIFICATIONS

Frame Material: Aluminum  
Diffuser Material: Acrylic  
Lamping Type: SSL (Dedicated LED) Jbox: Standard  
Lamping Base: SSL Lamp Wattage: 3 W  
Lamp Quantity: 16 Total Wattage: 48 W  
Voltage: 120v Lamps Included: Yes

#### QUALIFICATIONS

Location Rating Dry  
Certification: ETL (US/Canada) Listed  
ADA Compliant No Energy Star: No  
JA8 Compliant: No Emergency Lighting: No  
Marine Grade: No Warranty: 5 Year

#### PHOTOMETRICS

Dimmable: Yes Nominal Lumens 2560 Lm  
CRI: 85 Delivered Lumens: N/A  
CCT: 3000K  
Recommended Dimmers:  
(TRIAC)LEVITON Sureslide 6633-P; (TRIAC)LUTRON Skylark S-600 or S-600P; (ELV)LUTRON Skylark SELV-300P

#### Additional Notes:

10 feet of aircraft cable and cord included

Project Name: \_\_\_\_\_

Location: \_\_\_\_\_

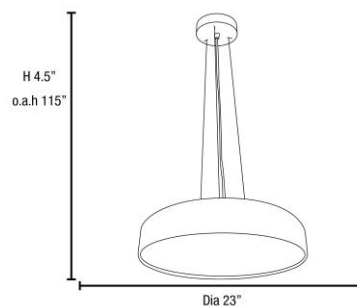
Type: \_\_\_\_\_

Quantity: \_\_\_\_\_

Notes: \_\_\_\_\_



#### LINE DRAWING



#### IES FILE

In addition to Access Lighting's purchase and warranty terms and conditions, by signing below or placing an order, you agree that you are authorized to bind the entity placing any order and acknowledge the following: All of sizes and measurements are approximate and all images are for illustrative purposes only. In the event of an inconsistency, the "Product Measurements" section controls. There also may be slight differences in the colors and designs compared to the displayed and printed images.

Signature: \_\_\_\_\_

Print Name \_\_\_\_\_ Date: \_\_\_\_\_

Toll Free 800-828-5483 [www.AccessLighting.com](http://www.AccessLighting.com)

14410 Myford Road, Irvine, CA 92606

The information is subject to change without notice. 9/23/2022 70084LEDD-BSL\_ACR.pdf

